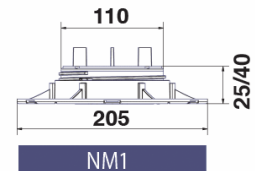
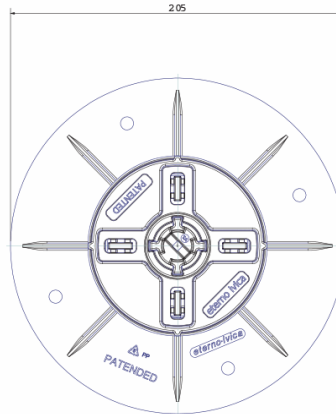


# Adjustable support NM 1

Self-leveling adjustable supports for elevated floors  
(from 25 to 40 mm) with bi-material head (pp+rubber)

**Beton**  **Wood**

Adjustable supports for elevated internal and external floors



## SPECIFICATION

Supply and installation of "NewMaxi" raised floor supports, adjustable in height, provided with two-material head, with anti-slip and anti-slip rubber finish. The supports are made of polypropylene elements consisting of a support base with a minimum diameter of 205 mm, a screw having variable height from 25 mm to 40 mm, equipped with a security lock and a head equipped with n. 4 spacer fins, h 12mm of the thickness of 2-3-4 mm, easily removable if necessary.

In the base there are holes for the water outflow and n. 4 "guide" lines to facilitate cutting in case of need. The height adjustment is carried out by a special adjustment key as standard, which acts on the screw independently from both the head and the base.

## MORPHOLOGICAL CHARACTERISTICS

Characteristics	Values/Unity	Tolerance
Base diameter	205 mm	+/- mm 1,0
Base thickness	2 mm	+/- mm 0,2
Head diameter	110 mm	+/- mm 0,8
Support surface	330 cmq	+/- cmq 5
Minimum height	25 mm	+/- mm 1,0
Maximum height	40 mm	+/- mm 1,5
Thickness of spacer fins	2-3-4 mm	+/- mm 0,2
Height of spacer fins	12 mm	+/- mm 0,2
Weight	0,218 kg	+/- 5 %

## PHYSICAL-CHEMICAL CHARACTERISTICS

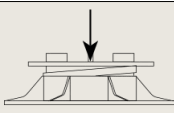
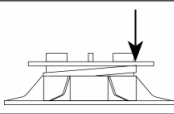
Reaction to fire (according to UNI EN13501-1:2009)	E class
Resistance to low temperatures	-40°

For further information contact our technical office on [www.betonwood.com](http://www.betonwood.com)

## GENERAL CHARACTERISTICS

PRODUCT IDENTIFICATION	NM 1
Characteristics	Height adjustment. Self-leveling head in bimaterial (PP + Rubber) height adjustment Key Easily removable spreader flaps Anti-unscrewing security lock.
Materials	Polypropylene and rubber (head finish)
Environmental impact	recyclable - non-hazardous waste
Applications (SUPPORT PLANE)	on any waterproof membrane on any rigid insulation panel on any solid and compact laying surface
Applications (FLOORS)	with any prefabricated element self-supporting for floorings from external, with thickness min. mm. 15

## TECHNICAL CHARACTERISTICS

CENTRAL COMPRESSION LIMIT RESISTANCE * (calculated at average height, betw. minimum and maximum)		31,18 KN
ECCENTRIC COMPRESSION LIMIT RESISTANCE * (calculated at average height, betw. minimum and maximum)		15,19 KN
Slope compensation		0 -5 %
Hardness		70 (+/- 3) Shore d

## PACKAGING AND STORAGE

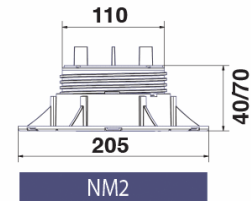
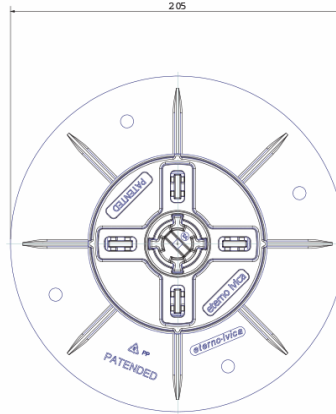
Pieces for box	30
Boxes for pallets	42
Box size	39 x 39 x 29,5 cm
Box weight	7,3 kg
Pallet dimensions	80 x 120 cm

# Adjustable support NM 2

Self-leveling adjustable supports for elevated floors  
(from 40 to 70 mm) with bi-material head (pp+rubber)

**Beton**  **Wood**

Adjustable supports for elevated internal and external floors



## SPECIFICATION

Supply and installation of "NewMaxi" raised floor supports, adjustable in height, provided with two-material head, with anti-slip and anti-slip rubber finish. The supports are made of polypropylene elements consisting of a support base with a minimum diameter of 205 mm, a screw having variable height from 40 mm to 70 mm, equipped with a security lock and a head equipped with n. 4 spacer fins, h 12mm of the thickness of 2-3-4 mm, easily removable if necessary.

In the base there are holes for the water outflow and n. 4 "guide" lines to facilitate cutting in case of need. The height adjustment is carried out by a special adjustment key as standard, which acts on the screw independently from both the head and the base.

## MORPHOLOGICAL CHARACTERISTICS

Characteristics	Values/Unity	Tolerance
Base diameter	205 mm	+/- mm 1,0
Base thickness	2 mm	+/- mm 0,2
Head diameter	110 mm	+/- mm 0,8
Support surface	330 cmq	+/- cmq 5
Minimum height	40 mm	+/- mm 1,0
Maximum height	70 mm	+/- mm 1,5
Thickness of spacer fins	2-3-4 mm	+/- mm 0,2
Height of spacer fins	12 mm	+/- mm 0,2
Weight	0,275 kg	+/- 5 %

## PHYSICAL-CHEMICAL CHARACTERISTICS

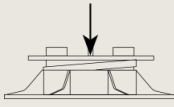
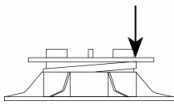
Reaction to fire (according to UNI EN13501-1:2009)	E class
Resistance to low temperatures	-40°

For further information contact our technical office on [www.betonwood.com](http://www.betonwood.com)

## GENERAL CHARACTERISTICS

PRODUCT IDENTIFICATION	NM 2
Characteristics	Height adjustment. Self-leveling head in bimaterial (PP + Rubber) height adjustment Key Easily removable spreader flaps Anti-unscrewing security lock.
Materials	Polypropylene and rubber (head finish)
Environmental impact	recyclable - non-hazardous waste
Applications (SUPPORT PLANE)	on any waterproof membrane on any rigid insulation panel on any solid and compact laying surface
Applications (FLOORS)	with any prefabricated element self-supporting for floorings from external, with thickness min. mm. 15

## TECHNICAL CHARACTERISTICS

CENTRAL COMPRESSION LIMIT RESISTANCE * (calculated at average height, betw. minimum and maximum)		38,67 KN
ECCENTRIC COMPRESSION LIMIT RESISTANCE * (calculated at average height, betw. minimum and maximum)		21,48 KN
Slope compensation		0 -5 %
Hardness		70 (+/- 3) Shore d

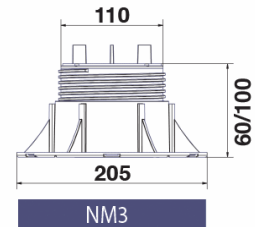
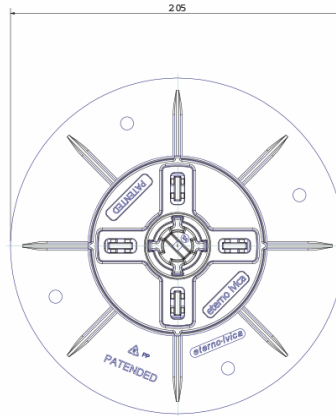
## PACKAGING AND STORAGE

Pieces for box	35
Boxes for pallets	30
Box size	40 x 40 x 42 cm
Box weight	10,4 kg
Pallet dimensions	80 x 120 cm

# Adjustable support NM 3

Self-leveling adjustable supports for elevated floors  
(from 60 to 100 mm) with bi-material head (pp+rubber)

Adjustable supports for elevated internal and external floors



## SPECIFICATION

Supply and installation of "NewMaxi" raised floor supports, adjustable in height, provided with two-material head, with anti-slip and anti-slip rubber finish. The supports are made of polypropylene elements consisting of a support base with a minimum diameter of 205 mm, a screw having variable height from 60 mm to 100 mm, equipped with a security lock and a head equipped with n. 4 spacer fins, h 12mm of the thickness of 2-3-4 mm, easily removable if necessary.

In the base there are holes for the water outflow and n. 4 "guide" lines to facilitate cutting in case of need. The height adjustment is carried out by a special adjustment key as standard, which acts on the screw independently from both the head and the base.

## MORPHOLOGICAL CHARACTERISTICS

Characteristics	Values/Unity	Tolerance
Base diameter	205 mm	+/- mm 1,0
Base thickness	2 mm	+/- mm 0,2
Head diameter	110 mm	+/- mm 0,8
Support surface	330 cmq	+/- cmq 5
Minimum height	60 mm	+/- mm 1,0
Maximum height	100 mm	+/- mm 1,5
Thickness of spacer fins	2-3-4 mm	+/- mm 0,2
Height of spacer fins	12 mm	+/- mm 0,2
Weight	0,345 kg	+/- 5 %

## PHYSICAL-CHEMICAL CHARACTERISTICS

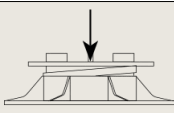
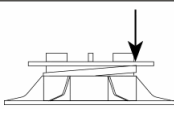
Reaction to fire (according to UNI EN13501-1:2009)	E class
Resistance to low temperatures	-40°

For further information contact our technical office on [www.betonwood.com](http://www.betonwood.com)

## GENERAL CHARACTERISTICS

PRODUCT IDENTIFICATION	NM 3
Characteristics	Height adjustment. Self-leveling head in bimaterial (PP + Rubber) height adjustment Key Easily removable spreader flaps Anti-unscrewing security lock.
Materials	Polypropylene and rubber (head finish)
Environmental impact	recyclable - non-hazardous waste
Applications (SUPPORT PLANE)	on any waterproof membrane on any rigid insulation panel on any solid and compact laying surface
Applications (FLOORS)	with any prefabricated element self-supporting for floorings from external, with thickness min. mm. 15

## TECHNICAL CHARACTERISTICS

CENTRAL COMPRESSION LIMIT RESISTANCE * (calculated at average height, betw. minimum and maximum)		46,53 KN
ECCENTRIC COMPRESSION LIMIT RESISTANCE * (calculated at average height, betw. minimum and maximum)		26,07 KN
Slope compensation		0 -5 %
Hardness		70 (+/- 3) Shore d

## PACKAGING AND STORAGE

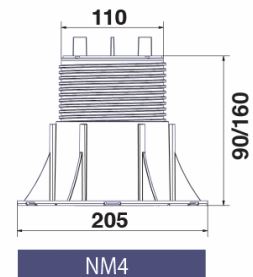
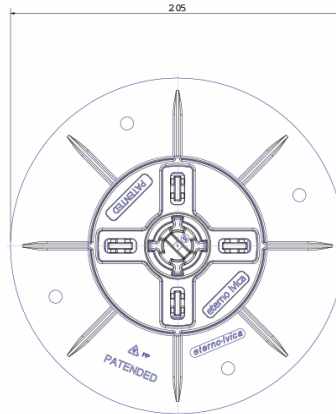
Pieces for box	25
Boxes for pallets	30
Box size	40 x 40 x 42 cm
Box weight	9,4 kg
Pallet dimensions	80 x 120 cm

# Adjustable support NM 4

Self-leveling adjustable supports for elevated floors  
(from 90 to 160 mm) with bi-material head (pp+rubber)

**Beton**  **Wood**

Adjustable supports for elevated internal and external floors



## SPECIFICATION

Supply and installation of "NewMaxi" raised floor supports, adjustable in height, provided with two-material head, with anti-slip and anti-slip rubber finish. The supports are made of polypropylene elements consisting of a support base with a minimum diameter of 205 mm, a screw having variable height from 90 mm to 160 mm, equipped with a security lock and a head equipped with n. 4 spacer fins, h 12mm of the thickness of 2-3-4 mm, easily removable if necessary.

In the base there are holes for the water outflow and n. 4 "guide" lines to facilitate cutting in case of need. The height adjustment is carried out by a special adjustment key as standard, which acts on the screw independently from both the head and the base.

## MORPHOLOGICAL CHARACTERISTICS

Characteristics	Values/Unity	Tolerance
Base diameter	205 mm	+/- mm 1,0
Base thickness	2 mm	+/- mm 0,2
Head diameter	110 mm	+/- mm 0,8
Support surface	330 cmq	+/- cmq 5
Minimum height	90 mm	+/- mm 1,0
Maximum height	160 mm	+/- mm 1,5
Thickness of spacer fins	2-3-4 mm	+/- mm 0,2
Height of spacer fins	12 mm	+/- mm 0,2
Weight	0,441 kg	+/- 5 %

## PHYSICAL-CHEMICAL CHARACTERISTICS

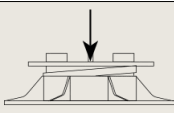
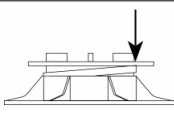
Reaction to fire (according to UNI EN13501-1:2009)	E class
Resistance to low temperatures	-40°

For further information contact our technical office on [www.betonwood.com](http://www.betonwood.com)

## GENERAL CHARACTERISTICS

PRODUCT IDENTIFICATION	NM 4
Characteristics	Height adjustment. Self-leveling head in bimaterial (PP + Rubber) height adjustment Key Easily removable spreader flaps Anti-unscrewing security lock.
Materials	Polypropylene and rubber (head finish)
Environmental impact	recyclable - non-hazardous waste
Applications (SUPPORT PLANE)	on any waterproof membrane on any rigid insulation panel on any solid and compact laying surface
Applications (FLOORS)	with any prefabricated element self-supporting for floorings from external, with thickness min. mm. 15

## TECHNICAL CHARACTERISTICS

CENTRAL COMPRESSION LIMIT RESISTANCE * (calculated at average height, betw. minimum and maximum)		29,57 KN
ECCENTRIC COMPRESSION LIMIT RESISTANCE * (calculated at average height, betw. minimum and maximum)		16,75 KN
Slope compensation		0 -5 %
Hardness		70 (+/- 3) Shore d

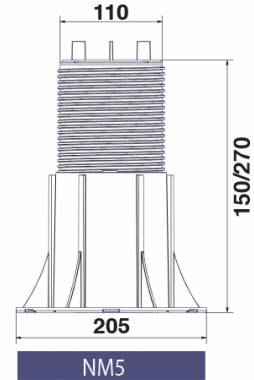
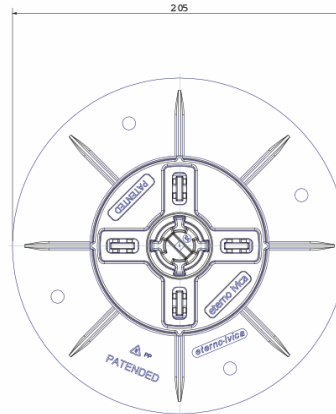
## PACKAGING AND STORAGE

Pieces for box	20
Boxes for pallets	30
Box size	40 x 40 x 42 cm
Box weight	9,6 kg
Pallet dimensions	80 x 120 cm

# Adjustable support NM 5

Self-leveling adjustable supports for elevated floors  
(from 150 to 270 mm) with bi-material head (pp+rubber)

Adjustable supports for elevated internal and external floors



## SPECIFICATION

Supply and installation of "NewMaxi" raised floor supports, adjustable in height, provided with two-material head, with anti-slip and anti-slip rubber finish. The supports are made of polypropylene elements consisting of a support base with a minimum diameter of 205 mm, a screw having variable height from 150 mm to 270 mm, equipped with a security lock and a head equipped with n. 4 spacer fins, h 12mm of the thickness of 2-3-4 mm, easily removable if necessary.

In the base there are holes for the water outflow and n. 4 "guide" lines to facilitate cutting in case of need. The height adjustment is carried out by a special adjustment key as standard, which acts on the screw independently from both the head and the base.

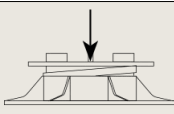
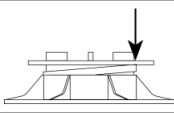
## GENERAL CHARACTERISTICS

PRODUCT IDENTIFICATION	NM 5
Characteristics	Height adjustment. Self-leveling head in bimaterial (PP + Rubber) height adjustment Key Easily removable spreader flaps Anti-unscrewing security lock.
Materials	Polypropylene and rubber (head finish)
Environmental impact	recyclable - non-hazardous waste
Applications (SUPPORT PLANE)	on any waterproof membrane on any rigid insulation panel on any solid and compact laying surface
Applications (FLOORS)	with any prefabricated element self-supporting for floorings from external, with thickness min. mm. 15

## MORPHOLOGICAL CHARACTERISTICS

Characteristics	Values/Unity	Tolerance
Base diameter	205 mm	+/- mm 1,0
Base thickness	2 mm	+/- mm 0,2
Head diameter	110 mm	+/- mm 0,8
Support surface	330 cmq	+/- cmq 5
Minimum height	150 mm	+/- mm 1,0
Maximum height	270 mm	+/- mm 1,5
Thickness of spacer fins	2-3-4 mm	+/- mm 0,2
Height of spacer fins	12 mm	+/- mm 0,2
Weight	0,583 kg	+/- 5 %

## TECHNICAL CHARACTERISTICS

CENTRAL COMPRESSION LIMIT RESISTANCE * (calculated at average height, betw. minimum and maximum)		28,60 KN
ECCENTRIC COMPRESSION LIMIT RESISTANCE * (calculated at average height, betw. minimum and maximum)		18,89 KN
Slope compensation		0 -5 %
Hardness		70 (+/- 3) Shore d

## PHYSICAL-CHEMICAL CHARACTERISTICS

Reaction to fire (according to UNI EN13501-1:2009)	E class
Resistance to low temperatures	-40°

## PACKAGING AND STORAGE

Pieces for box	30
Boxes for pallets	14
Box size	81 x 58 x 31,5 cm
Box weight	19,3 kg
Pallet dimensions	80 x 120 cm

For further information contact our technical office on [www.betonwood.com](http://www.betonwood.com)